

BUTTERFLY VALVE TECFLON- DUCTILE IRON BODY WITH MANUAL GEAR BOX

APPLICATION

TECFLON butterfly valves are intended for ON/OFF or control use in fluid transfer circuits.

- **Area of use:** ingeneering, chemical and petrochemical industry, sewage treatment plants.



- **Fluids :** waste water, liquid waste, corrosive products, hydrocarbons, etc.
«Not suitable for steam application»

GENERAL CHARACTERISTICS

Range : from DN125 to DN300.

- Type with threaded ears
- Sealing in both directions of circulation of the piping.
- Stainless steel disc.
- PTFE sleeve with viton backup pad.
- Extended neck compatible with pipe lapping
- Reduced maneuvering torque.
- Reduced head losses.
- ISO 5211 mounting plate.

STANDARDS

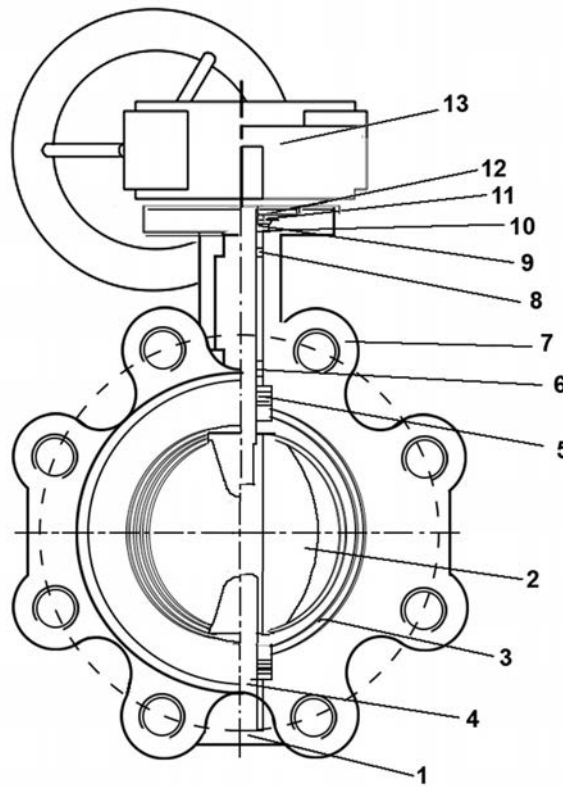
Design	Manufacture according to the requirements of the European directive 2014/68/UE «Equipment under pressure»: modulate H.
Face to face	Face to face according to standards NF EN 558-1 série 20, ISO 5272 série 20, DIN 3202.
Connection	Mounting with flanges ISO PN10/16 from DN125 to DN150 and PN10 from DN200 to DN300 according to EN1092-2.
Tests	Pressure test according to standards EN12266-1, DIN 3230, BS 5154 and ISO 5208: -Body : WP x 1.5 bar -Seat : WP x 1.1 bar

PRODUCT APPROVALS



BUTTERFLY VALVE TECFLON WITH MANUAL GEAR BOX

CONSTRUCTION



Oven backed epoxy coated body RAL 5019 thickness 250µ

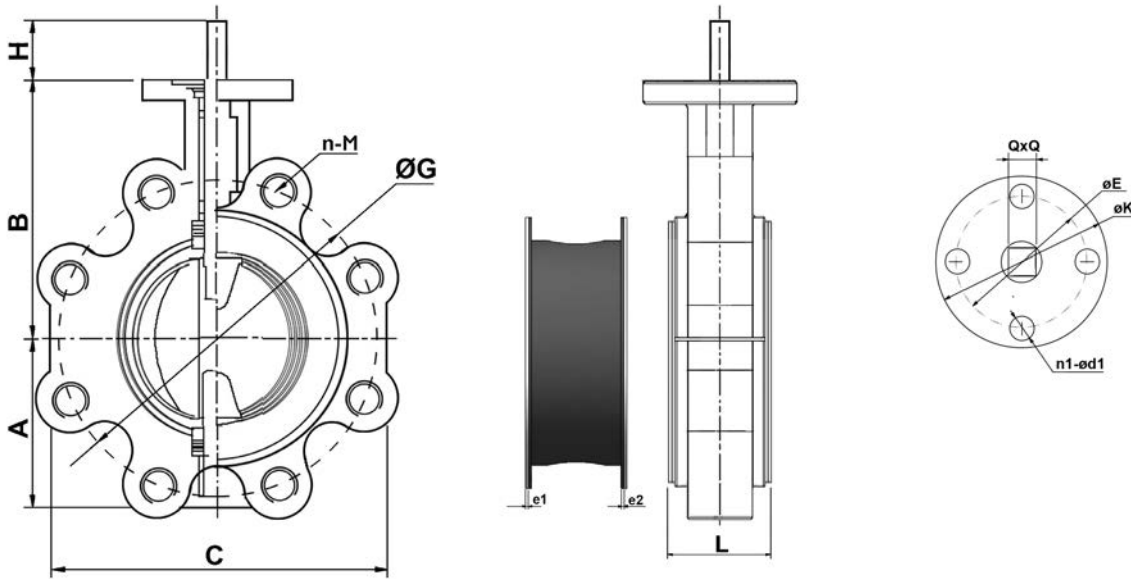
Pos.	Description	Material	Equivalences		
			DIN	ASTM	BS
1	Body	Ductile iron EN-GJS-500-7	GGG50	A536 65-70-50-05	1563 EN-JS1050
2	Disc	Stainless steel CF8M			
3	Sleeve	PTFE + FPM (Viton®)			
4	Stem	Stainless steel 316			
5	Joint	FRP (Fiber reinforced plastic)			
6	Bushing	FRP (Fiber reinforced plastic)			
7	Body	Ductile iron EN-GJS-500-7	GGG50	A536 65-70-50-05	1563 EN-JS1050
8	Bushing	FRP (Fiber reinforced plastic)			
9	Ring	Steel			
10	Stem circlip	Steel			
11	Ring	Steel			
12	Circlip	Steel			
13	Gear box				

The photographs and technical art works are not contractual. The specifications of the presented products are open to modifications without previous advice.



BUTTERFLY VALVE TECFLON WITH MANUAL GEAR BOX

DIMENSIONS



DN		A	B	C	L	H	Upper plate				ØG	n-M	Q	PTFE thickness e1	Viton thickness e2	Maximum possible vacuum (kPa)	KVs (m³/h)	Torque Nm	Weight (kg)
mm	inch						ISO	K	E	n1-ød1									
125	5"	122	180	219	59	30	F05	90	70	4-Ø10	115	8-M16	9	2.4	2.6	30	1000	110	13.09
150	6"	134	186	241	59	30	F05	90	70	4-Ø10	125	8-M20	9	2.4	2.6	30	1500	150	13.45
200	8"	165	234	320	63	35	F05	125	102	4-Ø12	145	8-M20	9	2.4	2.6	20	3000	300	23.85
250	10"	194	273	370	73	38	F05	125	102	4-Ø12	160	12-M20	9	3	3	10	5200	400	32.4
300	12"	224	302	450	81	38	F07	125	102	4-Ø12	180	12-M20	11	3	3	10	8180	550	50.67

WORKING CONDITIONS

Maximum working pressure : 16 bar from DN40 to DN150
 10 bar from DN200 to DN300
 Maximum working temperature : -20°C / +190°C

The photographs and technical art works are not contractual. The specifications of the presented products are open to modifications without previous advice.

